

# ADAPTER BRACKET KIT H=100 P=100 MM

---

## ADAPTER BRACKET KIT H=100 P=100 MM

---




---

### CARATTERISTICHE

---

The kit consists of two galvanized steel L-shaped brackets, thick 1.2 mm, each equipped with round and slotted holes for easy installation in various situations and to be able to adjust the depth\* of the 'adapter/plenum relative to the fixing wall.

For adapters in particular, the kit can be associated with all rectangular adapters of height 10 cm and depth\* 10 cm.

For other types of rectangular adapters, the brackets would have to be modified in place to be usable.

\*The total depth. can vary between 103 mm and  $(72+103)= 175$  mm.

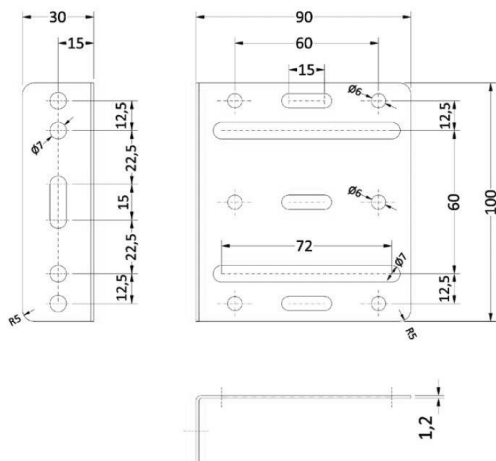
Screws and dowels for fixing brackets on wall are not provided. The brackets possibly can also be installed with the major part against the wall (see drawing 2).

---

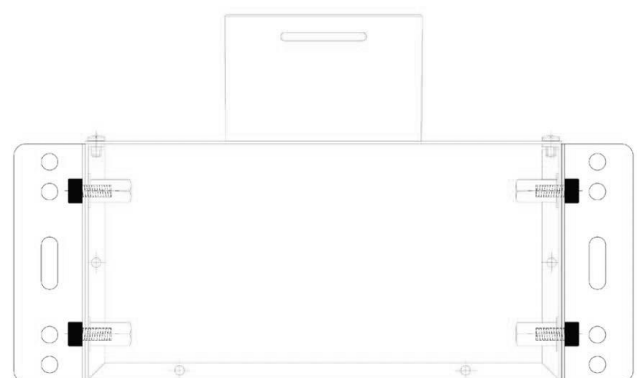
### DRAWINGS

---

Disegno dimensionale 2D di una delle staffe del kit in lamiera zincata spess. 1,2 mm (misure in mm)



ESEMPIO: kit VMADKITS100 fissato a un adattatore (il kit comprende nr. 2 staffe + nr. 4 viti M6x12 a testa cilindrica "Pozi" di fissaggio staffe sull'adattatore)



DRAWIN

